

VS-27-0 | VS-38-0

Accusense® Outdoor Voltage Sensors

Accusense® Voltage Sensors are a high accuracy-class capacitive voltage-sensing solution that enables users to collect critical voltage data needed for optimizing grid power delivery and reliability. Accusense® voltage-sensing technology is an alternative to traditional metering class voltage-transformers and is available as a stand-alone voltage metering system or with the Viper® relasers as a site-ready solution.

TECHNICAL PARAMETERS

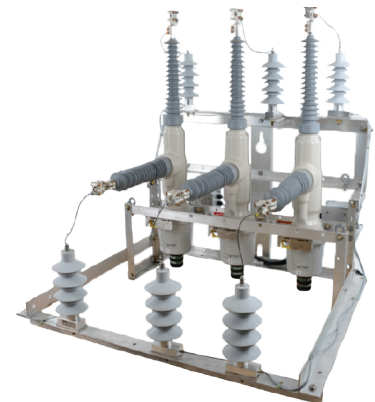
	VS-27-0	VS-38-0
Rated insulation level	27/60/170 kV	38/70/225 kV
Accuracy class *	For protection	3P
	For measurement	0.2 or 0.5
Rated primary voltage, Upn *	27/√3 kV	38/√3 kV
Maximum voltage, Um	27 kV	38 kV
Rated secondary voltage, Usn *	3.1178 V (LEA)	4.38786 V (LEA)
Rated voltage factor, Ku	1.9 for 8h	
Nominal frequency	50 / 60 Hz	
Nominal transformation ratio, Kn *	5000 V : 1 V or 2500 V : 1 V	
Supply voltage	12 - 36 Vdc	
Max. Supply Current	30 mA	
Creepage distance	855 mm	1224 mm
Primary terminal capacity	3 pF	
Weight	2.25 kg (4 lb)	4.5 kg (9 lb)
Applicable Standards	IEC 60044-7, IEEE C37.92-2005	
Bandwidth (-3 dB)	30 Hz – 30 kHz	
Accuracy on harmonics	Special Quality Metering as per IEC 60044-8	



Accusense® VS-27-0



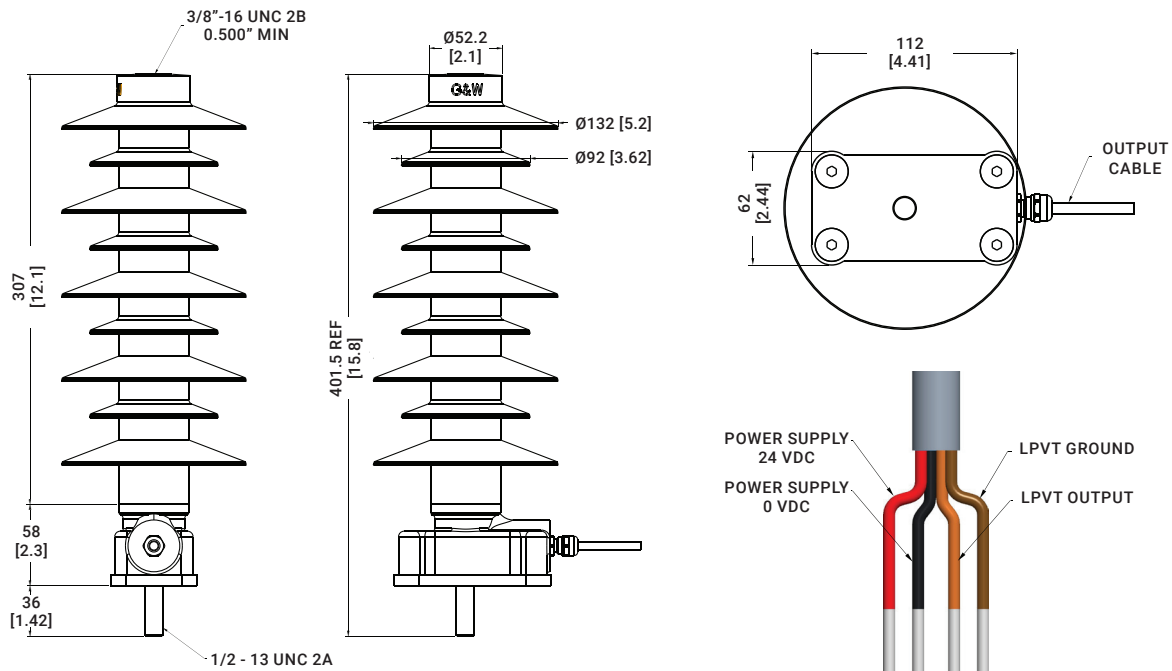
Accusense® VS-38-0



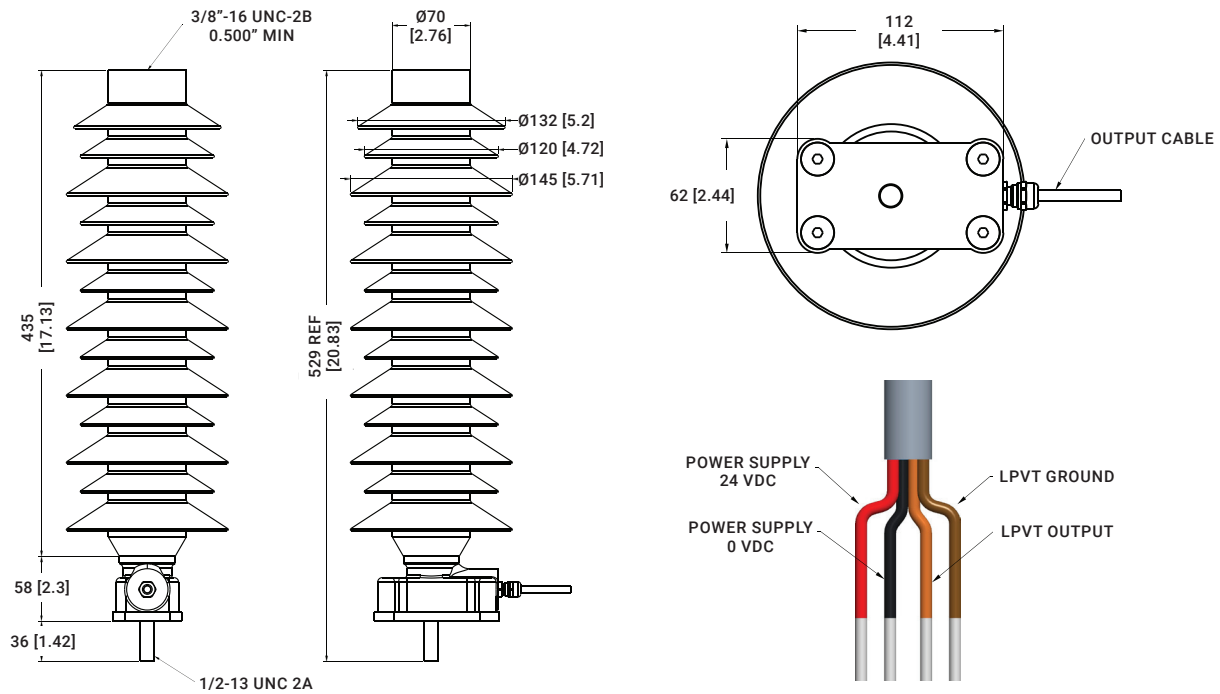
Accusense® Sensors
with Viper® ST

* marks parameters customized upon request.

Accusense® VS-27-O Drawing



Accusense® VS-38-O Drawing



All dimensions in mm and [inches].

FEATURES / BENEFITS

- Metering class voltage accuracy, better than 0.5%
- No Ratio Correction Factors (RCFs) required
- One ratio for all voltages (5000:1)
- Alternative to metering class voltage transformers
 - Easy to install, lightweight
 - Safe, Low Energy Analog (LEA) output
 - Cannot back-feed, output isolated from primary
- Phase Measurement, better than $\pm 0.2^\circ$
- Site-Ready Solution - factory installed and system tested

APPLICATIONS

- All in one metering & protection solution: Reclosers with Accusense sensors
 - High accuracy power quality measurement & Reliability
- Retrofit reclosers installed in the field
 - Fault location, isolation, service restoration (FLISR)
- Stand-alone, high accuracy voltage metering
- Meter at feeder, capacitor banks, end of line, and interties
- Conservation Voltage Reduction (CVR) & Volt-VAR Optimization (VVO)

For more information

please, visit our website: www.gwelectric.com/products/high-accuracy-sensors/



Since 1905, G&W Electric has been a leading provider of innovative power grid solutions including the latest in load and fault interrupting switches; reclosers; sensors; system protection equipment; power grid automation; transmission and distribution cable terminations; and joints and other cable accessories. G&W Electric is headquartered in Bolingbrook, Illinois, U.S.A., with manufacturing facilities and sales support in more than 100 countries, including Canada, Italy, China, Mexico, Brazil, India, UAE and Singapore. We help our customers meet their challenges and gain a competitive edge through a suite of advanced products and technical services.