

TABLE 1

RJ-45 connector for:	PIN	1	2	3	4	5	6	7	8
Passive LPCT		S1	S2						
Passive LPVT								a	n
Reserved for TEDS				+			-		
Reserved for power supply					+	-			

If the signal cable length ≥ 10 m, the RJ-45 connector can be compliant to the requirements valid for cables with length < 10 m, as reported in Table 601 of the IC 61869-6.
Use of Transducer Electronic Data Sheet - TEDS (for future developments)

Output Cable

- Output cable length 2.2 m
- CAT 6 shielded cable with RJ-45 connector
- Output cable RJ-45 pinout shown in Table 1

LPVT output signal is single-ended type, with pin n connected to ground.

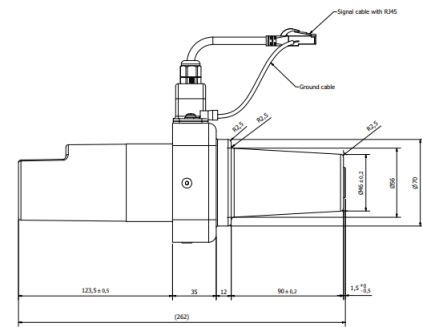
LPCT output signal is differential type, isolated from ground.

The polarity of LPCT secondary signal is consistent with the polarity of a primary current injected into the bushing from the SF6 side connection.


In other words: P1 is the connection to busbars into the tank, P2 is the C-type cable connection.

Other components included in the kit

- Ground wire cable length 26 cm
- Rating marking plate



MARKING PLATE

		Low-Power Passive Voltage & Current Transformer + Voltage Presence Coupler CVS-P-24-SB 210550026
R.I.L.: 24 / 50 / 125 kV Weight: 1.7 kg Temperature category: [-15, +50]°C Secondary terminal I.L.: 150 / 820 / 1500 V VP detecting system: MR per IEC-61243-5		Ref. Std.: ENEL-GSCT005-rev2, ENEL-GSCM004-rev0, ENEL-DY 811 Rated frequency: $F_r = 50$ Hz
L P V T	Rated Primary Voltage Range: [6, 24]√3 kV Rated Transformation Ratio: $K_r = 10000/1$ V/V Rated Voltage Factor: $F_v = 1.9 / 8h$ Ratio Correction Factor: $CF_U = 1$	Rated Phase Offset: or = 0° Phase Offset Correction: $P_{o_{cor}} = \backslash$ Rated Burden: $R_{bur} = 2$ MO // 50 pF Accuracy Class: 1P
L P C T	Rated Primary Current: $I_p = 500$ A Rated Secondary Voltage: $U_s = 150$ mV Extended Primary Current Factor: $K_{ex} = 100$ Rated Thermal Current: $I_{thp} = 630$ A, 20 kA Ratio Correction Factor: $CF_I = 1$	Rated Phase Offset: $P_{o_{cor}} = 0^\circ$ Phase Offset Correction: $P_{o_{cor}} = \backslash$ Rated Burden: $R_{bur} = 20$ kΩ // 500 pF Accuracy Class: 0.5S 5P Type of output signal: Derivative

90mm

60mm

For more information

please, visit our website: www.gwelectric.com/products/high-accuracy-sensors/



Since 1905, G&W Electric has been a leading provider of innovative power grid solutions including the latest in load and fault interrupting switches; reclosers; sensors; system protection equipment; power grid automation; transmission and distribution cable terminations; and joints and other cable accessories. G&W Electric is headquartered in Bolingbrook, Illinois, U.S.A., with manufacturing facilities and sales support in more than 100 countries, including Canada, Italy, China, Mexico, Brazil, India, UAE and Singapore. We help our customers meet their challenges and gain a competitive edge through a suite of advanced products and technical services.