



Slip-on[®] Terminations

For single conductor underground cable systems through 46kV

G&W Electric
Engineered to order. Built to last.

G&W Electric's Slip-on terminators are quality, factory assembled cable terminations designed for ease of installation and adaptability to a wide range of cable types and sizes. Slip-on's incorporate a built-in stress relief device and are prefilled at the factory with an exclusive insulating dielectric which eliminates the need for field pouring of hot compounds.

Applications

Slip-on terminators are designed for single conductor, polyethylene insulated, concentric neutral URD cables on distribution systems through 46kV. Adapter kits are available permitting termination of shielded, jacketed cables having rubber or polyethylene insulation and paper or varnished cambric insulated, lead sheath cables. All terminators are applicable to both copper and aluminum conductor cables and are available for either bracket or flange mounting.



Features and Benefits

Maximum external insulation - Porcelain is the industry standard for providing maximum insulation that is unaffected by weathering elements. Slip-on terminators utilize a high strength, non-tracking, wetprocess porcelain with excellent mechanical and electrical characteristics. Sky gray in color with glazed surfaces, the porcelain resists contamination buildup and permits selfcleaning during normal rainfall. A deep draw, corrugated skirt design provides the necessary creepage and strike distances and permits installation in either upright or inverted positions, indoors and out.

Built-in stress control - Factory installed, internal stress relief devices provide effective electrical stress relief without having to build a taped stress cone on the cable. The terminators are factory filled with an exclusively formulated insulating material which eliminates the need for heating and pouring of hot compounds in the field.

Versatility - Slip-on terminators will accept a wide range of cable diameters and accommodate minor variations in cable shape. This is accomplished by an extremely flexible silicone rubber diaphragm seal used at the cable entrance of the terminator. The rubber diaphragm provides a positive, continuous seal with the cable during installation and maintains its integrity throughout the service life of the terminator.

Ease of installation - After cable preparation, simply insert the cable into the terminator and attach the ground and aerial connections. Cable centering plugs are used to guide small size cables into the terminator. Various connectors, aerial lugs and mounting brackets are available.



Components

- **External insulation** - Slip-on terminators utilize a high strength, wet process porcelain with excellent mechanical and electrical characteristics. Deep draw corrugated skirts provide the necessary creepage and strike distances and permit installation in either upright or inverted positions, indoors and out. Porcelains are gasket sealed to the body of the terminator.
- **Bodies** - Standard bodies are made of cast aluminum painted gray. Cast brass bodies are available. A plated steel vent plug is standard and is threaded into the body to permit displacement of the internal insulating material during cable insertion.
- **Stress relief** - Factory installed, internal stress relief devices control electrical stress without having to build a taped stress cone on the cable. The device is shaped to permit smooth entry of the cable while assuring continuous contact around the cable shielding system.

Components cont

- **Internal insulating material** - Slip-on terminators are factory filled with an exclusively formulated insulating material (Novoid 254) which eliminates the need for heating and pouring of compounds in the field. The soft, tacky material has a dielectric constant (S IC) which closely approximates that of polyethylene providing a dielectrically compatible system with the cable. The insulating material creates a void-free environment around the prepared cable end and permits acceptance of a wide range of cable sizes. Some physical and electrical characteristics are:
 - Flash point: 249° C
 - Fire point: 299° C
 - Remains flexible to: -30° C
 - Vol. Coef. of Exp. (in. 3/° C): .00035
 - Specific gravity: 904
 - Power factor at 60° C: .04%
 - S.I.C. at 25° C: 2.2
 - Dielectric strength (v/mil) 25° C : 420

Sealing system - Hoods are gasketed and spun on to the top of the terminator. Sealing bolts prevent leakage of the internal insulating material. A silicone rubber diaphragm provides a positive seal at the cable entrance of the terminator. A bolted cast aluminum sealing plate holds the rubber diaphragm in place.

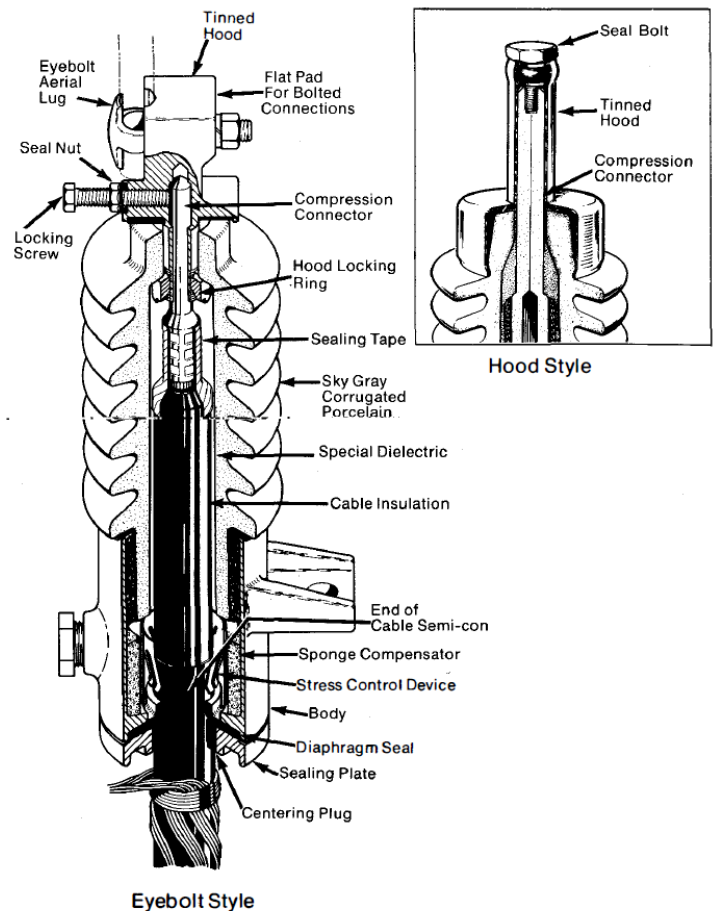
Adapter kits - Slip-on terminators are designed for polyethylene insulated, URD cables. For paper or varnished cambric insulated, lead sheath cables or shielded, jacketed cables having rubber or polyethylene insulation, an adapter kit is required.

Connectors - Connectors are compression style available in either copper or aluminum.

Aerial lugs - Two different aerial takeoff constructions, an eyebolt and compressible hood design, are used depending upon the current rating and conductor size of the cable. Eyebolt style lugs will accept up to a 250kcmil overhead conductor. A flat pad, clamp type and two styles of offset aerial lugs are available for use with the hood constructed terminators. Standard hoods are made of tinned aluminum with copper hoods available.

Brackets - Various styles of pole, crossarm and channel mounting brackets are available for single and three single conductor terminators.

Cable centering plug - A cable centering plug is included with each terminator to provide a snug fit at the cable entrance for small diameter cables.



Ease of Installation

Complete factory assembly including built-in stress relief and factory filled insulating material make Slip-on terminators extremely easy to install. For eyebolt style terminators on URD cable, the following simple steps are required.

1. After cable preparation, crimp on the connector and insert the cable into the terminator. The cable will displace some of the insulating material into the disposable plastic bottle supplied.
2. Tighten the locking screw.
3. Secure the ground wire to the ground connection on the bracket and mount the terminator.
4. Secure the aerial conductor and installation is complete.

Typical Specifications - General

This specification covers the requirements for a cable termination for (bracket) (flange) (equipment) mounted installation. The termination shall be manufactured by G&W Electric Company per product designation Slip-on Terminator. The termination shall feature factory installed stress relief and insulating material to reduce field installation time.

Electrical Ratings

The termination shall be for service on a (15kV) (25kV) (34.5kV) (46kV) voltage rated, (single) (three single) conductor cable system. The termination shall have a BIL rating of (110kV) (150kV) (200kV) (250kV).

Construction

The termination shall use high strength, wet process porcelain for external insulation. The porcelain shall be a deep draw, corrugated design to permit upright or inverted mounting, indoors or out. Factory installed, internal stress relief devices shall provide electrical stress relief without having to build a taped stress cone on the cable. The terminations shall be factory filled with an insulating material with a dielectric constant approximating that of polyethylene. The insulating material shall create a void free environment around the prepared cable end and permit acceptance of a wide range of cable sizes. The terminations shall use a rubber diaphragm seal at the cable entrance for continuous sealing and the ability to accept a wide range of cable diameters.

Accessories

Aerial connections shall be (eyebolt) (hood) style with a (copper) (aluminum) compression connector. Cable adapter kits (shall) (shall not) be furnished per catalog designation (K) (W) (PW). Aerial lugs shall be (flat pad) (clamp) (style 4 offset) (style 8 offset) type

Ordering information

The following steps are needed for ordering:

- Select the terminator by catalog number based on voltage, BIL and conductor size:
- Provide a complete description of the cable including the conductor material, and diameters over insulation, semi-conducting shielding system and outer jacket.
- Specify adapter kit required (K, W, PW series). Note: No adapter kit is necessary for URD cables.
- Specify aerial lug and mounting bracket required

Electrical Ratings				
Voltage (kV)	15	25	34.5	46
BIL (kV)	110	150	200	250
Current Rating	Same as cable	Same as cable	Same as cable	Same as cable
1 minute dry, ac (kV)	50	65	90	120
6 hour dry, ac (kV)	35	55	75	100
10 second wet, ac (kV)	45	60	80	100
15 minute dry, dc (kV)	75	105	140	170



Bracket-mounted Slip-On Termination

I/C Bracket-Mounted Slip-on Termination

Catalog number includes prefilled terminator and compression connector. Compression connector catalog number must be specified separately (Aluminum connectors are supplied for all size aluminum conductors and for copper conductors through 250 KCM as standard. Adapter kits, aerial lugs, and brackets must be ordered separately if required.

I/C Bracket Mounted Part Number information

Catalog Number	Voltage (kV)	BIL (kV)	Conductor Size (max) AWG or KCM				Semi-con O.D* in. (mm max)	Creepage in. (mm)	Strike in. (mm)	Wt. lbs.(kg)
			Copper	mm ²	Aluminum	mm ²				
PAT 1701	15	110	250	127	250	127	5/8 - 1 (25.4)	12 1/8 (308)	6 (152)	6 (2.7)
PAT 1772			750	380	500	253	1-1 5/8 (41.3)	12 1/8 (308)	5 3/4 (146)	12 1/2 (5.7)
PAT 1773			1500	760	1250	633	1 5/16 - 2 3/16 (55.5)	13 3/4 (336)	6 (152)	14 (6.4)
PAT 1801	25	150	250	67	250	67	5/8 - 1 (25.4)	19 1/2 (495)	10 1/8 (257)	8 1/2 (3.9)
PAT 1802			250	127	250	127	3/4 - 1 1/4 (31.7)	20 (508)	9 5/8 (244)	13 (5.9)
PAT 1872			750	380	500	253	1-1 5/8 (41.3)	20 (508)	9 5/8 (244)	15 (6.8)
PAT 1873			1500	760	1250	633	1 5/16 - 2 3/16 (55.5)	20 (508)	9 (229)	20 (9.1)
PAT 1972	34.5	200	750	380	500	253	1-1 5/8 (41.3)	31 1/4 (794)	13 5/8 (346)	20 (9.1)
PAT 1973			1500	760	1250	633	1 5/16 - 2 3/16 (55.5)	32 1/2 (825)	14 1/2 (368)	30 (13.6)
PAT 1073	46	250	1500	760	1250	633	1 5/16 - 2 3/16 (55.5)	46 (1168)	20 1/4 (514)	36 (16.3)

Max. continuous current rating-same as cable. *O.D. of semi-con jacket over insulation is used for sizing. Exception: For PILC, use O.D. instead of lead.

Catalog Number	Size	Figure	Dimensions- in. (mm)						
			A max.	B	C	D	E	F	G
PAT 1701	1	1	12 1/4 (311)	2 5/8 (67)	2 15/32 (63)	2 3/8 (60)	3 1/2 (89)	5/16 (8)	-
PAT 1772	2	2	12 1/16 (306)	3 7/8 (98)	2 15/16 (75)	2 7/8 (73)	4 1/8 (105)	7/16 (11)	-
PAT 1773	3	4	12 7/8 (327)	5 1/8 (130)	7 1/4 (184)	6 1/2 (165)	5 (127)	6 5/8 (168)	7 1/2 (191)
PAT 1801	1	1	16 (406)	2 5/8 (67)	2 15/32 (63)	2 5/8 (67)	3 1/2 (89)	5/16 (8)	-
PAT 1802	2	1	17 1/16 (433)	3 7/8 (98)	2 15/16 (75)	3 3/8 (79)	4 1/8 (105)	7/16 (11)	-
PAT 1872	2	2	15 1/4 (387)	3 7/8 (98)	2 15/16 (75)	2 7/8 (73)	4 1/8 (105)	7/16 (11)	-
PAT 1873	3	4	16 1/16 (408)	5 1/8 (130)	10 7/16 (265)	6 1/2 (165)	5 (127)	6 5/8 (168)	7 1/2 (191)
PAT 1972	2	2	20 1/8 (511)	3 7/8 (98)	2 15/16 (75)	2 7/8 (73)	4 5/8 (117)	7/16 (11)	-
PAT 1973	3	4	21 (533)	5 1/8 (130)	15 3/8 (391)	6 1/2 (165)	5 3/4 (146)	6 5/8 (168)	7 1/2 (191)
PAT 1073	3	4	27 (686)	5 1/8 (130)	21 3/8 (543)	6 1/2 (165)	5 3/4 (146)	6 5/8 (168)	7 1/2 (191)

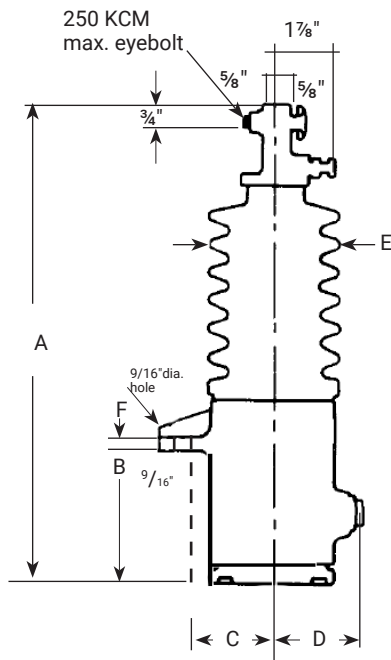


Figure 1

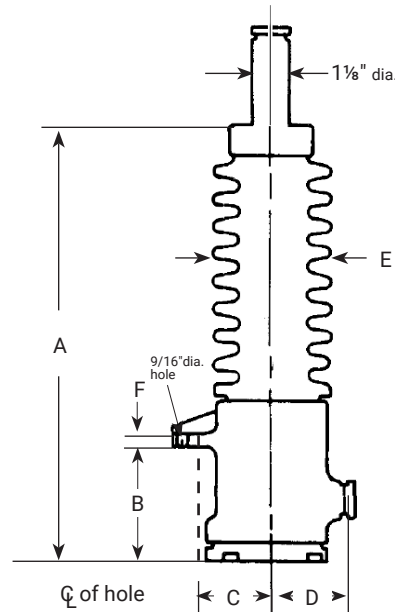
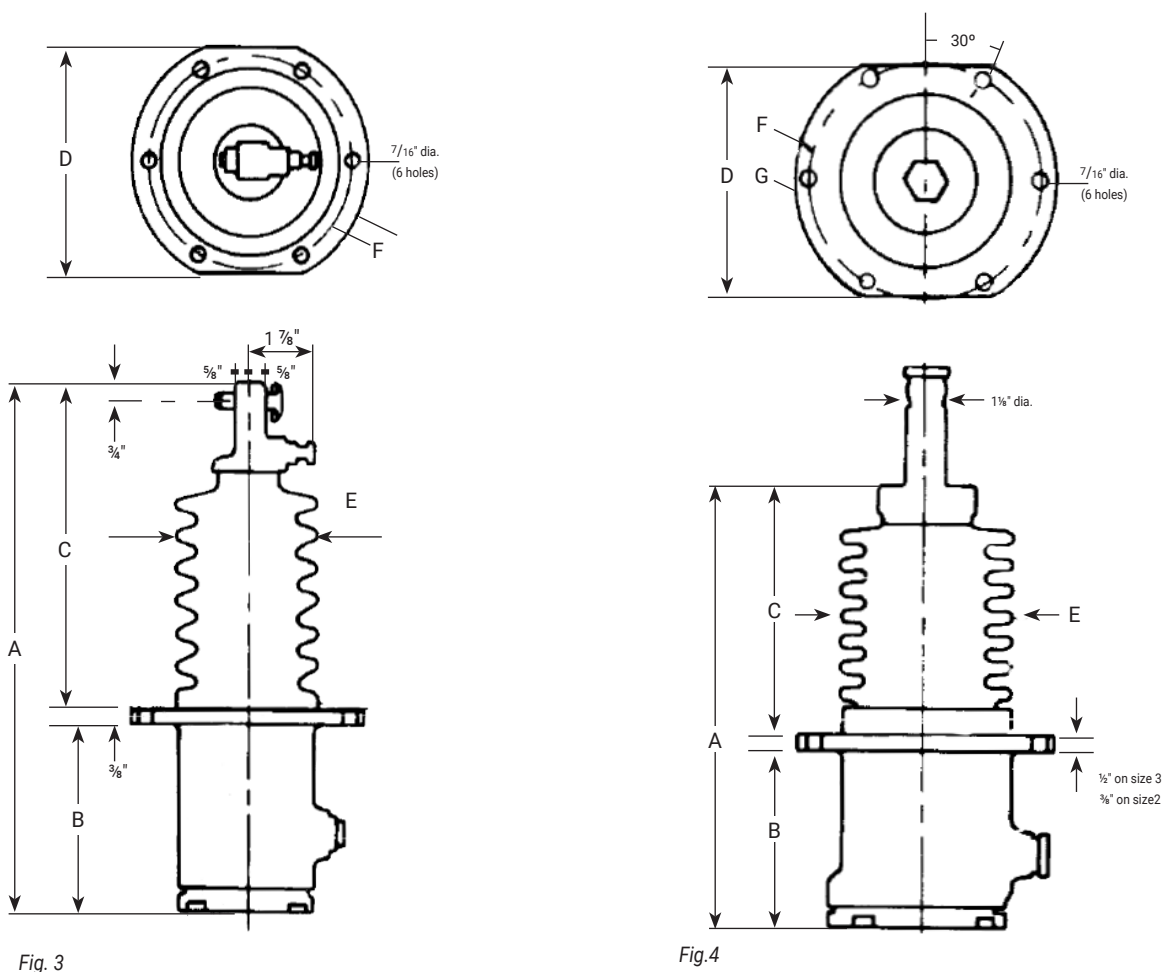


Figure 2

I/C Flange Mounted Part Number information

Catalog Number	Size	Figure	Dimensions- in. (mm)						
			A max.	B	C	D	E	F	G
PATR 1701	1	3	12¼ (311)	3½ (89)	8¾ (213)	5 (127)	3½(89)	4¾ (121)	5½ (140)
PATR 1772	2	4	12 ¹ / ₁₆ (306)	4¾ (111)	7 ⁵ / ₁₆ (186)	6 (152)	4¾ (105)	5 7/8 (149)	6 7/8 (175)
PATR 1773	3	4	12 ⁷ / ₈ (327)	5½ (130)	7¼ (184)	6½ (165)	5 (127)	6 ⁵ / ₈ (168)	7½(191)
PATR 1801	1	3	16 (406)	3½ (89)	12½ (63)	5 (127)	3½(89)	4¾ (121)	5½ (140)
PATR 1802	2	3	17 ¹ / ₁₆ (433)	4¾ (111)	10½ (329)	6 (152)	4¾(105)	5 7/8 (149)	6 7/8 (175)
PATR 1872	2	4	15¼ (387)	4¾ (111)	10 ⁷ / ₁₆ (265)	6 (152)	4¾(105)	5 7/8 (149)	6 7/8 (175)
PATR 1873	3	4	16 ¹ / ₁₆ (408)	5½ (130)	10 ⁷ / ₁₆ (265)	6½ (165)	5 (127)	6 ⁵ / ₈ (168)	7½(191)
PATR 1972	2	4	20½ (511)	4¾ (111)	15¾ (391)	6 (152)	4¾ (117)	5 7/8 (149)	6 7/8 (175)
PATR 1973	3	4	21 (533)	5½ (130)	15¾ (391)	6½ (165)	5¾ (146)	6 ⁵ / ₈ (168)	7½(191)
PATR 1073	3	4	27 (686)	5½ (130)	21¾ (543)	6½ (165)	5¾ (146)	6 ⁵ / ₈ (168)	7½(191)



Catalog number includes prefilled terminator, compression connector and 3/16" thick Buna-cork gasket. Compression connector catalog number must be specified separately. Aluminum connectors are supplied for all size aluminum conductors and for copper conductors through 250 KCM as standard. Adapter kits, aerial lugs, and brackets must be ordered separately if required.

Catalog Number	Voltage (kV)	BIL (kV)	Conductor Size (max) AWG or KCM				Semi-con O.D* in. (mm max)	Creepage in. (mm)	Strike in. (mm)	Wt. lbs. (kg)
			Copper	mm ²	Aluminum	mm ²				
PATR 1701	15	110	250	127	250	127	5/8 - 1 (25.4)	12 1/8 (308)	6 (152)	7 (3.2)
PATR 1772			750	380	500	253	1-1 5/8 (41.3)	12 1/8 (308)	5 3/4 (146)	13 (5.9)
PATR 1773			1500	760	1250	633	1 5/16 - 2 3/16 (55.5)	13 1/4 (336)	6 (152)	14 (6.4)
PATR 1801	25	150	250	127	250	127	5/8 - 1 (25.4)	19 1/2 (495)	10 1/8 (257)	108 1/2 (4.5)
PATR 1802			250	127	250	127	3/4 - 1 1/4 (31.7)	20 (508)	9 5/8 (244)	14 (6.4)
PATR 1872			750	380	500	253	1-1 5/8 (41.3)	20 (508)	9 5/8 (244)	16 (7.3)
PATR 1873			1500	760	1250	633	1 5/16 - 2 3/16 (55.5)	20 (508)	9 (229)	20 (9.1)
PATR 1972	34.5	200	750	380	500	253	1-1 5/8 (41.3)	31 1/4 (794)	13 5/8 (346)	21 (9.5)
PATR 1973			1500	760	1250	633	1 5/16 - 2 3/16 (55.5)	32 1/2 (825)	14 1/2 (368)	30 (13.6)
PATR 1703	46	250	1500	760	1250	633	1 5/16 - 2 3/16 (55.5)	46 (1168)	20 1/4 (514)	36 (16.3)

Max. continuous current rating-same as cable.

O.D. of semi-con jacket over insulation is used for sizing. Exception: For PILC, use O.D. instead of lead

Adapter Kits

Slip-on terminators are designed for single conductor, polyethylene insulated, concentric neutral URD cables. To terminate paper or varnished cambric insulated, lead sheath cables or shielded, jacketed cables having rubber or polyethylene insulation one of the following adapter kits must be used. Refer to the adapter kit selector chart at the bottom of this page for proper kit selection.

"K" KIT

For polyethylene or EPR rubber insulated, shielded, jacketed cables or lead sheath cables not requiring a wiped joint. A "K" kit adds approximately 2 3/4" to the length of the terminator. K1 kits include a ground strap, tension spring, rubber sealing boot, housing and mounting hardware. K2 and K3 kits consist of the same as a K1 except that a rubber cushion strip and band clamp is used instead of a tension spring.

"W" KIT

For polyethylene or EPR rubber insulated, lead sheathed cables where a wiped joint is required. The kit consists of a brass wiping sleeve with molded rubber gasket. A ground boss with a 1/2"-13 tap is provided on the sleeve.

"PW" KIT

For paper or varnished cambric insulated, lead sheathed cables where a wiped joint is required. The kit consists of a "W" series kit combined with Teflon® tape for protection of the paper or varnished cambric tape during installation.

Adapter Kits

K Kits

Catalog Number	Cable Diameter [†] Range (inches)	Weight (lbs)
K1	$\frac{3}{16}$ " - $1\frac{3}{16}$ "	$\frac{3}{4}$
K2	$1\frac{3}{16}$ " - $1\frac{5}{8}$ "	1
K3	$1\frac{1}{2}$ " - $2\frac{3}{16}$ "	$1\frac{1}{2}$

[†]Diameter is measured on overall jacket or lead sheath.

W Kits

Catalog Number	L inches (uncut)	Cable Diameter ^{**} Range	Weight (lbs)
W1	$2\frac{3}{16}$ "	$\frac{13}{16}$ " - $1\frac{3}{16}$ "	$\frac{3}{4}$ "
W2	3"	$1\frac{3}{16}$ " - $1\frac{5}{8}$ "	1"
W3	$2\frac{7}{16}$ "	$1\frac{1}{2}$ " - $2\frac{3}{16}$ "	$1\frac{1}{2}$ "

^{**}Diameter is measured over lead sheath.

PW Kits

Catalog Number	Cable Diameter [‡] Range	Weight (lbs)
PW11	$\frac{13}{16}$ " - $1\frac{3}{16}$ "	$1\frac{1}{4}$ "
PW21	$1\frac{3}{16}$ " - $1\frac{5}{8}$ "	$1\frac{1}{2}$ "
PW22	$1\frac{3}{16}$ " - $1\frac{5}{8}$ "	$1\frac{1}{2}$ "
PW31	$1\frac{1}{2}$ " - $2\frac{3}{16}$ "	2"
PW32	$1\frac{1}{2}$ " - $2\frac{3}{16}$ "	2"
PW33	$1\frac{1}{2}$ " - $2\frac{3}{16}$ "	$2\frac{1}{4}$ "

[‡]Diameter of overall jacket or lead sheath.

Adaptor Kit Selection chart

Application	PAT PATR 1701	PAT PATR 1772	PAT PATR 1773	PAT PATR 1801	PAT PATR 1802	PAT PATR 1872	PAT PATR 1873	PAT PATR 1972	PAT PATR 1973	PAT PATR 1073
For polyethylene or EPR rubber insulated, shielded, jacketed or lead sheath cables (without wiped joint).	K1	K2	K3	K1	K2	K2	K3	K2	K3	K3
For polyethylene or EPR rubber insulated, lead sheathed cables where wiped joint required.	W1	W2	W3	W1	W2	W2	W3	W2	W3	W3
For paper or varnished cambric insulated, lead sheathed cables (wiped joint required).	PW11	PW21	PW31	PW11	PW21	PW22	PW32	PW22	PW33	PW33

Connectors

Compression connectors are required for both eyebolt and hood style terminators. Copper connectors are made of high conductivity copper and are for use on copper conductor cable only. High conductivity aluminum connectors are tin plated and are for use on aluminum conductors through 1250 kcmil and copper conductors up to 250 kcmil as standard. The aluminum connectors are internally coated with a conductive oxide inhibiting compound for proper connection to aluminum conductors.

Compression Connectors for Eyebolt Style Terminators

Conductor Size* AWG/KCM			Copper		Aluminum	
SC	CR	SD	Part No.	Barrel O.D. in. (mm)	Part No.	Barrel O.D. in. (mm)
4	—	—	A5087-0022-000	.34 (9)	A5088-0022-000	.65 (17)
—	2	2	A5087-0117-000	.38 (10)	A5088-0230-000	.65 (17)
2	1	1	A5087-0023-000	.41 (11)	A5088-0023-000	.65 (17)
1	1/0	1/0	A5087-0024-000	.46 (12)	A5088-0024-000	.65 (17)
1/0	2/0	—	A5087-0025-000	.51 (13)	A5088-0025-000	.65 (17)
2/0	3/0	—	A5087-0026-000	.56 (14)	A5088-0026-000	.84 (21)
3/0	4/0	—	A5087-0027-000	.61 (15)	A5088-0027-000	.84 (21)
4/0	250	—	A5087-0028-000	.69 (18)	A5088-0028-000	.84 (21)
250	300	—	A5087-0029-000	.75 (19)	A5088-0029-000	.94 (24)

*SC = Stranded and Compressed. CR = Compact Round, SD = Solid

Compression Connectors for Hood Style Terminators

Conductor Size* AWG/KCM			Copper		Aluminum	
SC	CR	SD	Part No.	Barrel O.D. in. (mm)	Part No.	Barrel O.D. in. (mm)
4	—	—	A5087-0032-000	.34(9)	A5088-0030-000	.65 (17)
2	1	1	A5087-0030-000	.41 (11)	A5088-0031-000	.65 (17)
1	1/0	1/0	A5087-0033-000	.46 (12)	A5088-0032-000	.65 (17)
1/0	2/0	—	A5087-0031-000	.51 (13)	A5088-0033-000	.65 (17)
2/0	3/0	—	A5087-0021-000	.56 (14)	A5088-0034-000	.84 (21)
3/0	4/0	—	A5087-0000-000	.61 (15)	A5088-0000-000	.84 (21)
4/0	250	—	A5087-0001-000	.69 (18)	A5088-0001-000	.84 (21)
250	300	—	A5087-0002-000	.75 (19)	A5088-0002-000	.94 (24)
—	350	—	A5087-0005-000	.87 (22)	A5088-0005-000	1.00 (25)
300	—	—	A5087-0003-000	.81 (21)	A5088-0003-000	1.00 (25)
—	400	—	A5087-0007-000	.95 (24)	A5088-0007-000	1.12 (28)
350	—	—	A5087-0004-000	.87 (22)	A5088-0004-000	1.12 (28)
—	450	—	A5087-0009-000	.95 (24)	A5088-0009-000	1.19 (30)
400	500	—	A5087-0006-000	.95 (24)	A5088-0006-000	1.19 (30)
450	550	—	A5087-0008-000	1.01 (26)	A5088-0008-000	1.31 (33)
500	600	—	A5087-0010-000	1.06 (27)	A5088-0010-000	1.31 (33)
550	650	—	A5087-0011-000	1.12 (28)	A5088-0011-000	1.44 (37)
600	700	—	A5087-0012-000	1.19 (30)	A5088-0012-000	1.44 (37)
—	750	—	A5087-0016-000	1.23 (31)	A5088-0016-000	1.59 (40)
650	800	—	A5087-0013-000	1.23 (31)	A5088-0013-000	1.59 (40)
700	—	—	A5087-0014-000	1.25 (32)	A5088-0014-000	1.59 (40)
750	900	—	A5087-0015-000	1.30 (33)	A5088-0015-000	1.59 (40)
800	—	—	A5087-0017-000	1.35 (34)	A5088-0017-000	1.65 (42)
—	1000	—	A5087-0020-000	1.50 (38)	A5088-0020-000	1.65 (42)
900	—	—	A5087-0018-000	1.50 (38)	A5088-0018-000	1.65 (42)
1000	—	—	A5087-0019-000	1.50 (38)	A5088-0019-000	1.84 (47)
1250	—	—	A5087-0035-000	1.69 (43)	A5088-0035-000	2.12 (54)
1500	—	—	A5087-0034-000	1.84 (47)	—	—

*SC = Stranded and Compressed. CR = Compact Round, SD = Solid

Aerial Lugs

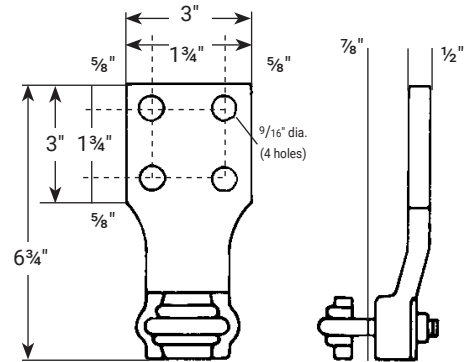
Various types of copper and aluminum aerial lugs are available for hood style terminators. Copper lugs are for use on copper aerial connections only. Aluminum lugs are tin plated and can be used for both copper and aluminum aerial connections. Flat pad and style 8 offset lugs are for bus connections while clamp and style 4 offset lugs are for bare wire aerial connections.

Aerial Lug Selector Chart

Application	PAT PATR 1701	PAT PATR 1772	PAT PATR 1773	PAT PATR 1801	PAT PATR 1802	PAT PATR 1872	PAT PATR 1873	PAT PATR 1972	PAT PATR 1973	PAT PATR 1073
Separate Lug Required	No	Yes	Yes	No	No	Yes	Yes	Yes	Yes	Yes

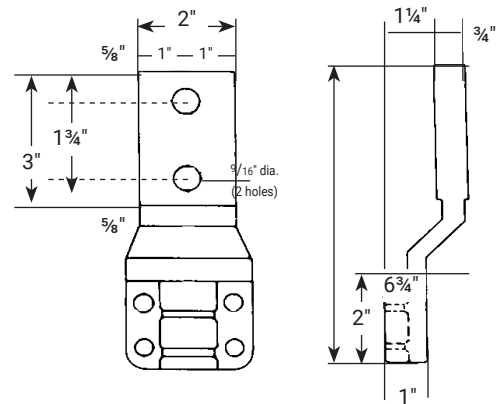
Vertical Flat Pad Type

Material	Catalog Number	Conductor Size			Approx. Weight lbs (kg)
		min.	max.	mm ² max.	
Aluminum	A5076-192A	—	—	—	1½ (.68)
Copper	A5076-192	—	—	—	4 (1.8)



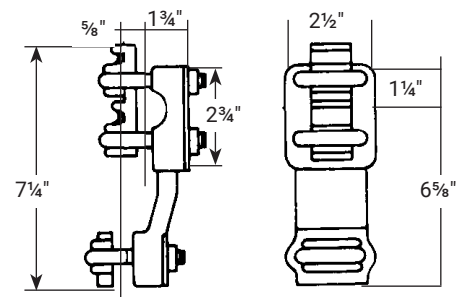
Style 8 Offset Flat Pad

Material	Catalog Number	Conductor Size			Approx. Weight lbs (kg)
		min.	max.	mm ² max.	
Copper	A5076-100A	—	—	—	4 (1.8)



Clamp Type

Material	Catalog Number	Conductor Size			Approx. Weight lbs (kg)
		min.	max.	mm ² max.	
Aluminum	A5076-190A	2 AWG	500 KCM	253.3	1½ (.68)
Aluminum	A5076-191A	550 KCM	1000 KCM	506.7	1½ (.68)
Copper	A5076-190	2 AWG	500 KCM	253.3	4 (1.8)
Copper	A5076-191	550 KCM	1000 KCM	506.7	4 (1.8)

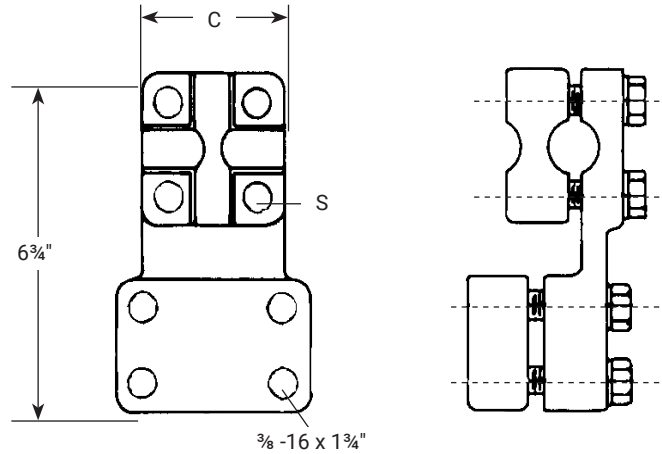


Aerial Lug Selector Chart

Style 4 Offset

Material	Catalog Number	Conductor Size			Approx. Weight lbs (kg)
		min.	max.	mm ² max.	
Aluminum	A5076-204A	2 AWG	500 KCM	253.3	1½ (.68)
Aluminum	A5076-205A	550 KCM	1000 KCM	506.7	1½ (.68)
Copper	A5076-204	2 AWG	500 KCM	253.3	4 (1.8)
Copper	A5076-205	550 KCM	1000 KCM	506.7	4 (1.8)

Catalog	C	S
A5076-204A	2½"	¾-16 x 1½"
A5076-205A	2¾"	½-13 x 2"
A5076-204	2½"	¾-16 x 1½"
A5076-205	2¾"	½-13 x 2"



Bracket Selector Chart

PAT 1701	PAT 1772	PAT 1801	PAT 1802	PAT 1872	PAT 1972	PATR 1701	PATR 1772	PAT PATR 1773	PATR 1801	PATR 1802	PATR 1872	PAT PATR 1873	PATR 1972	PAT PATR 1973	PAT PATR 1073
1,2	1,2	1,2	1,2	1,2	1,2	3,4,5,6	3,4,5,6	3,4,5,6	3,4,5,6	3,4,5,6	3,4,5,6	3,4,5,6	3,4,5,6	3,4,5,6	3,4,5,6

Terminator mounting hardware included.

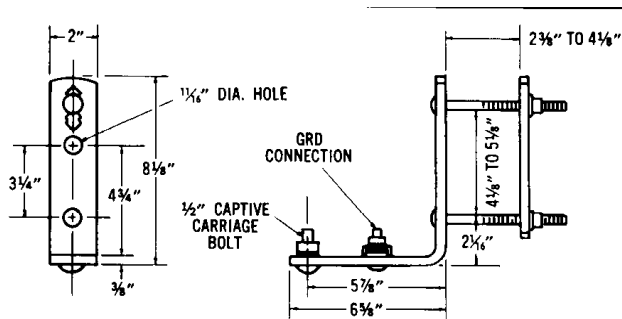


Figure 1

Catalog # B5071-221
Shipping weight 4 lbs each

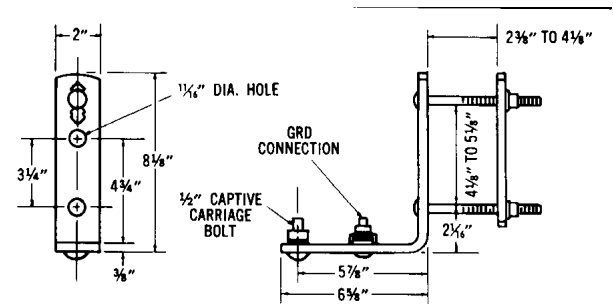


Figure 2

Catalog # B5071-221A
Shipping weight 4 lbs each

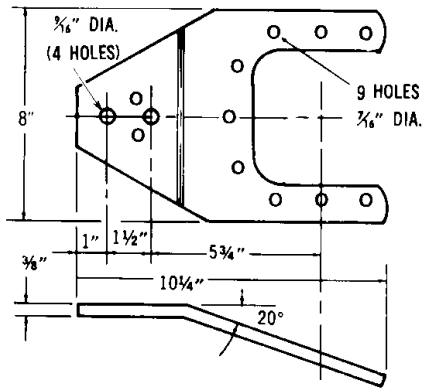


Figure 3

Catalog # A3147-686B
Shipping weight 5 lbs each

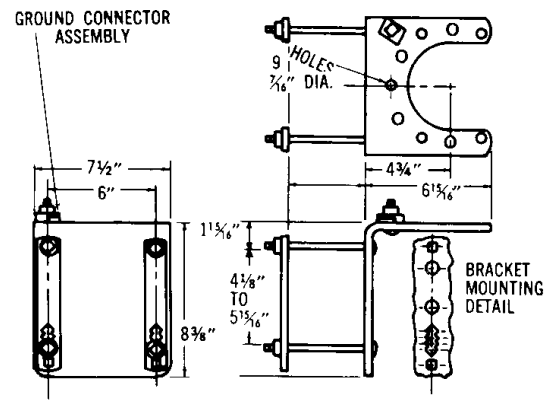


Figure 4

Catalog # B5071-273A
Shipping weight 10 lbs each

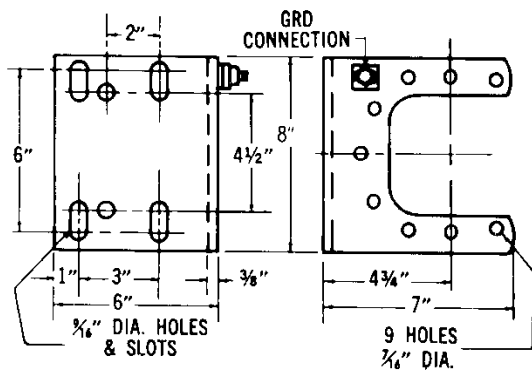


Figure 5

Catalog # B5071-258A
Shipping weight 7 1/2 lbs each

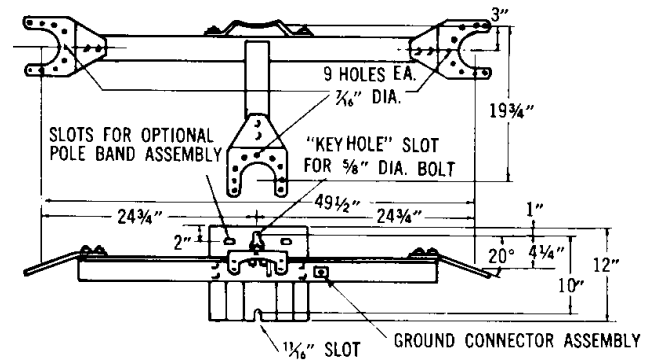


Figure 6

Catalog # B5071-274A
Shipping weight 58 lbs each

Contact us today
+1.708.388.5010 or info@gwelec.com

G&W Electric

Engineered to order. Built to last.

Since 1905, G&W Electric has been a leading provider of innovative power grid solutions, including the latest in load and fault interrupting switches, reclosers, system protection equipment, power grid automation and transmission and distribution cable terminations, joints and other cable accessories. G&W is headquartered in Bolingbrook, Illinois, U.S.A., with manufacturing facilities and sales support in more than 100 countries, including Canada, Italy, China, Mexico, Brazil, India and Singapore. We help our customers meet their challenges and gain a competitive edge through a suite of advanced products and technical services.

gwelectric.com

© 2022 G&W Electric
GW76-2022 12/24